

VEHICLE MODEL SELECT

Catalog Code....

Model Name..... -

Model..... KP#

VIN	Model	Engine	Prod Date	Characteristic (01)-(21)											
				(01)	(02)	(03)	(04)	(05)	(06)	(07)	(08)	(09)	(10)	(11)	
	KP30	2K	6904-7802	SED					RHD						
	KP30L	2K	6904-7802	SED					LHD						
	KP36	2K	6911-8808	PIC					RHD						
	KP36L	2K	6911-8808	PIC					LHD						
	KP36LV	2K	6904-7809	V					LHD						
	KP36V	2K	6904-7809	V					RHD						
	KP37R-KRN	3KH	7707-8108	PIC					RHD						
	KP60L-PGKDS	2K	8208-8409	SED	DLX	MTM	4F	LHD	3D	GEN					
JT1GOKP60	KP60L-PGKDSW	2K	8208-8409	SED	DLX	MTM	4F	LHD	3D	EUR	EUG				
	KP60L-PGKRS	2K	7802-8409	SED	STD	MTM	4F	LHD	3D	GEN					
JT1GOKP60	KP60L-PGKRSW	2K	7802-8409	SED	STD	MTM	4F	LHD	3D	EUR	EUG				
	KP60L-PGMRS	2K	7802-8005	SED	STD	MTM	5F	LHD	3D	GEN					
JT1GOKP60	KP60L-PGMRSW	2K	7802-8005	SED	STD	MTM	5F	LHD	3D	EUR	EUG				
	KP60L-PHKDS	2K	8208-8409	SED	DLX	MTM	4F	LHD	5D	GEN					
JT1HOKP60	KP60L-PHKDSW	2K	8208-8409	SED	DLX	MTM	4F	LHD	5D	EUR	EUG				
	KP60L-PHKRS	2K	7802-8409	SED	STD	MTM	4F	LHD	5D	GEN					
JT1HOKP60	KP60L-PHKRSW	2K	7802-8409	SED	STD	MTM	4F	LHD	5D	EUR	EUG				

```

***** Information *****
Program..... Type-1
Data..... 200612201 code by sliding scroll bar and pressing
VIN/VDS.....
Model name/Catalog code.... ( - )
Model (Frame-No)..... KP# ( - )
Production Date (YYMM)..... -
*****
    
```

(6904-7112)

FIGURE (ENTIRE)

Next

Match On

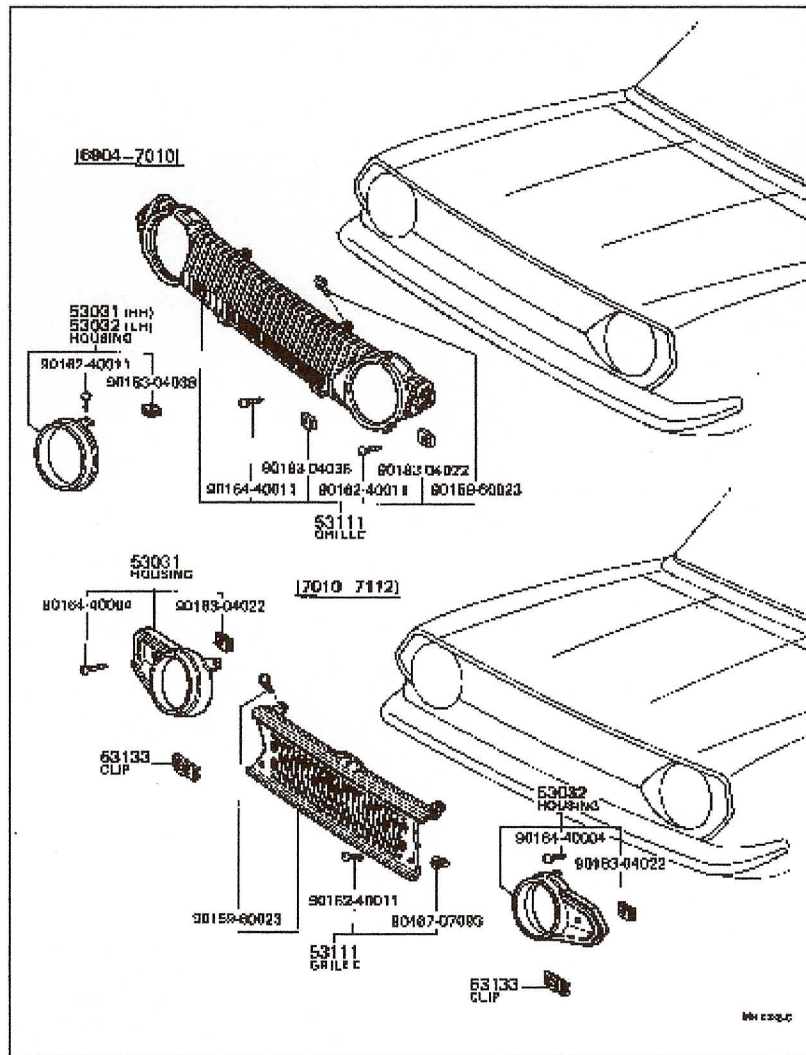


Fig	5301	Q'ty
RADIATOR GRILLE		

53031	HOUSING, HEADLAMP, RH	
53032	HOUSING, HEADLAMP, LH	
9016240011	** Std Part	
9018304038	** Std Part	
9018304036	** Std Part	
9018304022	** Std Part	
9016440011	** Std Part	
9015960023	** Std Part	
53111	GRILLE, RADIATOR	
9016440004	** Std Part	
53133	CLIP, HEADLAMP RIM	
9046707093	** Std Part	

***** Information *****

Program..... Type-1
 Data..... 20061220r P/Ns with scroll bar or mouse or click the
 VIN/VDS..... > to display a detailed illustration.
 Model name/Catalog code... 111210 (6904-8808 TOYOTA1000)
 Model (Frame-No)..... KP30 (KP30 -)>v
 Production Date (YYMM)..... -

F8:Next	F9:Mc hoff	F10:Exec	F11:Cler	F12:Vinf
---------	------------	----------	----------	----------



(7010-7112)

FIGURE (ENTIRE)

End

Match On

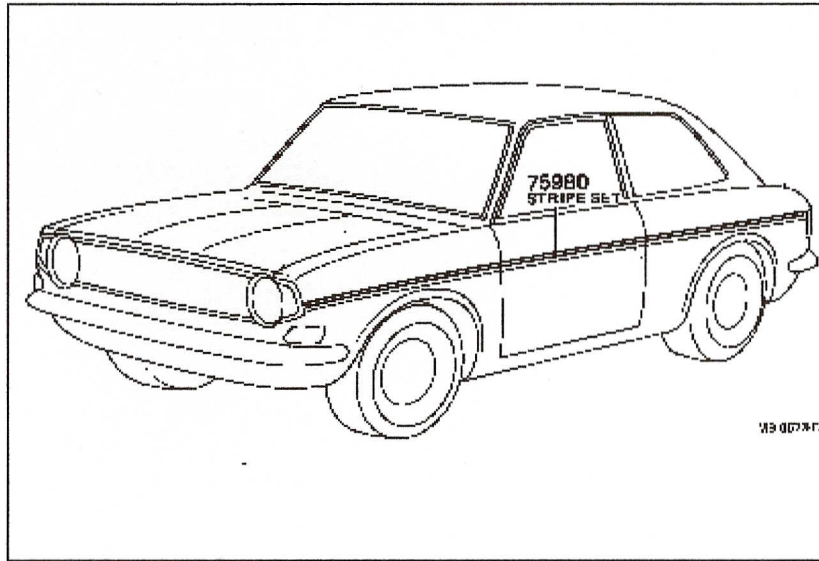


Fig	Match On	Q'ty
75980	STRIPE SET	

***** Information *****

Program..... Type-1
 Data..... 20061220r P/Ns with scroll bar or mouse or click the
 VIN/VDS..... to display a detailed illustration.
 Model name/Catalog code.... 111210 (6904-8808 TOYOTA1000)
 Model (Frame-No)..... KP30 (KP30 -)ev
 Production Date (YMM)..... -

F8:Next F9:Mchoff F10:Exec F11:Cler F12:Vinf

