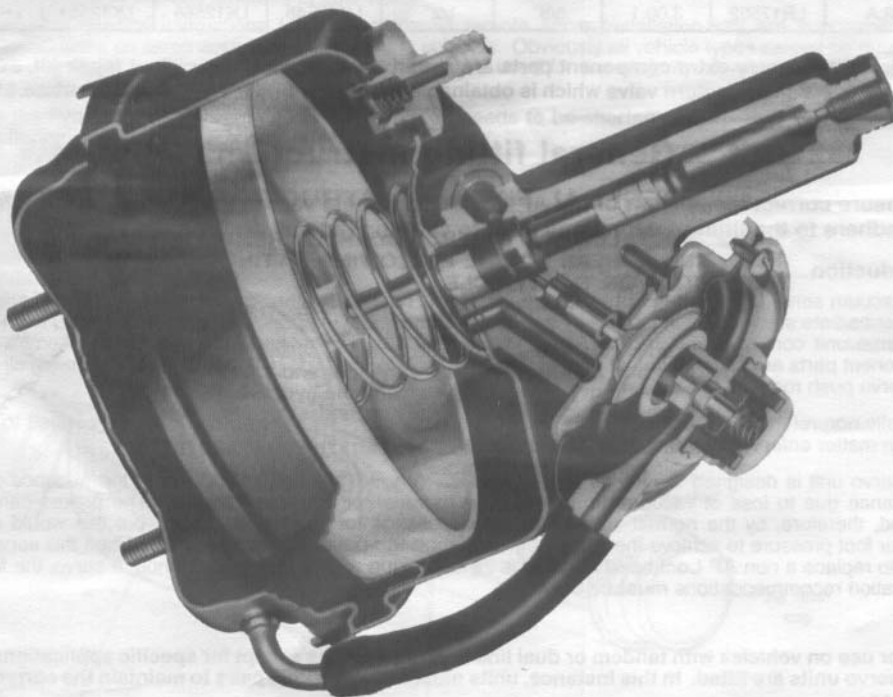




fitting instructions for

Remote Vacuum Servo Units Types 6 and 7



(For single line braking systems)

A range of servo installation kits and servo units, with boost ratios to suit cars and light vans are detailed below. **Specific applications and interchangeability with obsolete Girling versions are listed on page 6.**

For vehicles not listed, advice on models not shown, or Technical assistance on installation or overhaul, please contact **AP Lockheed Service Technical Department.**

Installation kits and servos

Remote servo technical data

Installation kit no.	Servo part no.	Boost ratio	Slave cylinder bore	Reaction piston bore	Service repair kits			
					Major	Piston	Air valve	Ancillaries
LE15741	LR17792	2.30:1	5/8"	5/16"	LK11061	–	LK11032	LK16042
LE15370	LR17793	1.65:1	7/8"	5/16"	LK11067	–	LK11032	LK16042
NLA	LR17812	1.65:1	7/8"	5/16"	LK11067	–	LK11032	LK16042
NLA	LR17813	1.90:1	11/16"	5/16"	LK11073	–	LK11032	LK16042
NLA	LR17814	2.78:1	11/16"	3/8"	LK11066	–	LK11032	LK16042
LE72696	LR17818	1.90:1	11/16"	5/16"	LK11073	–	LK11032	LK16042
NLA	LR15248	2.00:1	7/8"	5/16"	LK11058	–	LK11032	LK16042
LE10117	LR18221	3.00:1	5/8"	5/16"	LK11062	–	LK11032	LK16042
NLA	LR18230	4.25:1	5/8"	3/8"	LK11059	–	LK11032	LK16042
NLA	LR18503	4.50:1	5/8"	9/16"	LK11034	–	LK11011	LK16042
NLA	LR18504	3.60:1	5/8"	1/2"	LK11033	–	LK11011	LK16042
NLA	LR17551	3.00:1	5/8"	1/2"	LK12548	LK12565	LK12551	LK16042
NLA	LR17552	3.00:1	5/8"	1/2"	LK12548	LK12565	LK12551	LK16042

NOTE: All necessary extra component parts are readily available in the ancillary repair kit, excluding the in line non-return valve which is obtainable separately under AP Lockheed part no. LV15069.

General fitting instructions

To ensure correct installation of the AP Lockheed remote vacuum servo unit, thoroughly read and adhere to the fitting instructions prior to carrying out any work on the vehicle.

Introduction

The vacuum servo unit is incorporated into the hydraulic braking system, remote from the master cylinder, as an intermediate stage operating between the master cylinder and the brake assemblies. The two main parts of the servo unit consist of the vacuum servo mechanism and the hydraulic slave cylinder assembly. These component parts are bolted together so that the slave cylinder piston is in line with, and is operated directly by, the servo push rod.

A plastic non-return valve is fitted into the vacuum shell and an integral air cleaner is incorporated to prevent foreign matter entering the air control valve chamber.

The servo unit is designed to give no assistance with very light brake application. In the absence of servo assistance due to loss of vacuum, an unrestricted passage for the fluid will exist. The brakes can still be applied, therefore, by the normal action of the pedal on the brake master cylinder, but this would demand heavier foot pressure to achieve the same degree of braking as with servo assistance. When this servo unit is used to replace a non **AP Lockheed** servo or is installed on a vehicle previously without a servo, the following installation recommendations **must** be observed.

Note:

Not for use on vehicles with tandem or dual line braking systems except for specific applications where twin servo units are fitted. In this instance, units must be replaced in pairs to maintain the correct brake balance.

Important:

Fitting a brake servo unit will not make faulty brakes reliable. Any fault in the vehicle braking system **must** be rectified. **Therefore before fitting the new servo unit, ensure that the braking system is in good working order.**

Note:

- A. **When changing brake parts the need for absolute cleanliness is essential.** Therefore ensure that hands are free of grease and dirt. Always use fluff-free cloth or paper towelling for cleaning purposes.
- B. Ensure a sufficient quantity of **AP Lockheed DOT 4 brake & clutch fluid** is available for bleeding the braking system and topping up the reservoir. Where possible brake fluid should always be stored and dispensed from the original tin or bottle. Care must be taken to prevent both dirt entry and contamination especially in the mouth area of the master cylinder reservoir during this operation. **N.B. AP Lockheed do not recommend the use of silicone fluid in any AP Lockheed products.**

Prior to fitment of the brake servo unit or removal of an existing servo installation, thoroughly clean the outer surfaces of the unit (where applicable) and around **all** relevant hydraulic pipe connections using methylated spirit as a solvent. **Do not use petroleum based products for cleaning braking system components, i.e. petrol or paraffin.**

On the majority of vehicles a 3-way adaptor is used into which are coupled the supply pipe from the master cylinder outlet port and the pipes feeding both front and rear brake assemblies.

Removing existing installation

- 1. Disconnect the battery.
- 2. Disconnect and remove the vacuum hose pipe that connects the servo unit to the vacuum pump / manifold.
- 3. Disconnect, remove and discard the hydraulic feed pipe from the master cylinder outlet port to the 3-way adaptor. Seal off the hydraulic connection points to prevent loss of brake fluid and ingress of foreign matter.
- 4. Unbolt the existing servo unit together with any mounting brackets, where applicable, and remove from the vehicle.

Note:

Brake fluid is injurious to paintwork, therefore when removing the servo unit from the vehicle care should be taken to ensure that no fluid is spilled onto the painted surface of the bodywork. Should fluid spillage occur, wash off immediately with copious amounts of cold water.

The following general instructions for **AP Lockheed** remote servo installation kits are supplemented by recommendations on servo applications for popular vehicles. Obviously all vehicle types cannot be quoted, but by observing these instructions the installation kit can be used for the majority of vehicles with **single line braking systems**.

Where the hydraulic piping, supplied in the fitting kit, needs to be shortened it will be necessary to use a Bundy flaring tool to reform the pipe end.

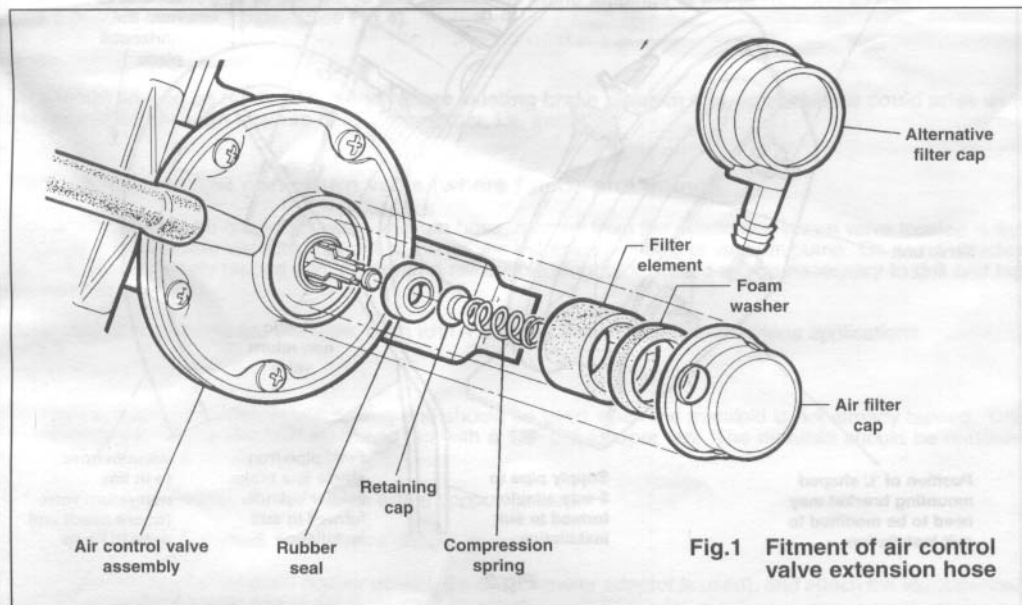


Fig.1 Fitment of air control valve extension hose

Location of new servo unit and brackets

1. It is essential that the servo unit is fitted to the integral body or chassis (i.e. **not to the engine**) thus preventing the brake pipes being subjected to vibration or flexing.
- 2a. It is an advantage to locate the servo within the engine compartment whenever possible to safeguard the unit and to keep the hydraulic pipe runs to a minimum length.
- 2b. Should it become necessary to fit the servo unit in an area on the vehicle prone to dirt, grit or water ingress e.g. under body wings, it is recommended that an extension hose be fitted to the air control valve inlet by carrying out the following modification, **prior to installation**.

Method:

Carefully prise off the plastic air filter cap. Note components retained by the cap, which is a snap fit, may become dislodged during removal. Therefore care **must** be taken to prevent parts becoming lost or damaged. Extract the foam washer from within the existing air filter cap and replace inside the alternative cap, **part no. 3887-266** supplied separately. Fit the new air filter cap to the air control valve ensuring that the rubber seal, seal retaining cap, compression spring and filter element are all correctly located. (See Fig.1 for details). Connect one of the vacuum hoses from the kit to the inlet pipe on the filter cap, secure with clip provided. On installation, locate the other end of the vacuum hose in a suitable position away from dirt or grit.

3. Ensure the hydraulic slave cylinder is at least six inches away from any part of the vehicle exhaust system, otherwise fluid vapourisation from local heat could occur.
4. The servo unit need not be mounted below the level of the brake fluid reservoir, but keep the difference in height to a minimum.
5. With the aid of the mounting brackets and fixings provided in the kit install the servo unit with the hydraulic slave cylinder outlet port **inclined upwards between 25° and 45° from the horizontal plane**. (See Fig.2). The air control valve should be situated **at least 30° below the centre line** to assist when bleeding the hydraulic system. (See Fig.3).

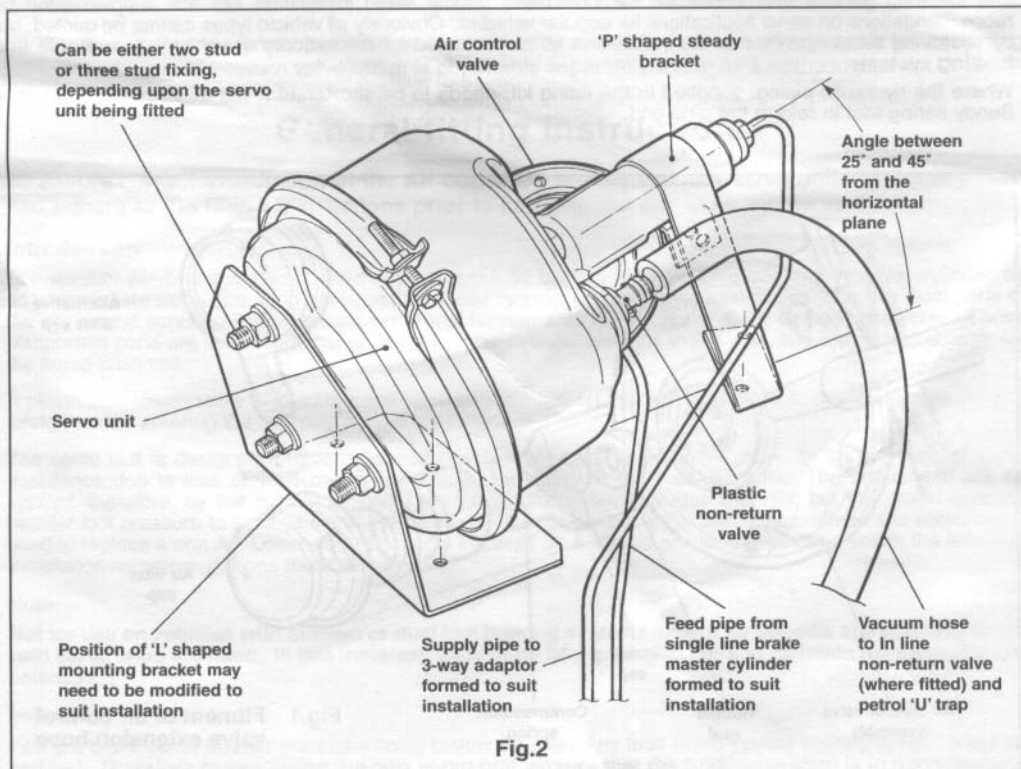


Fig.2

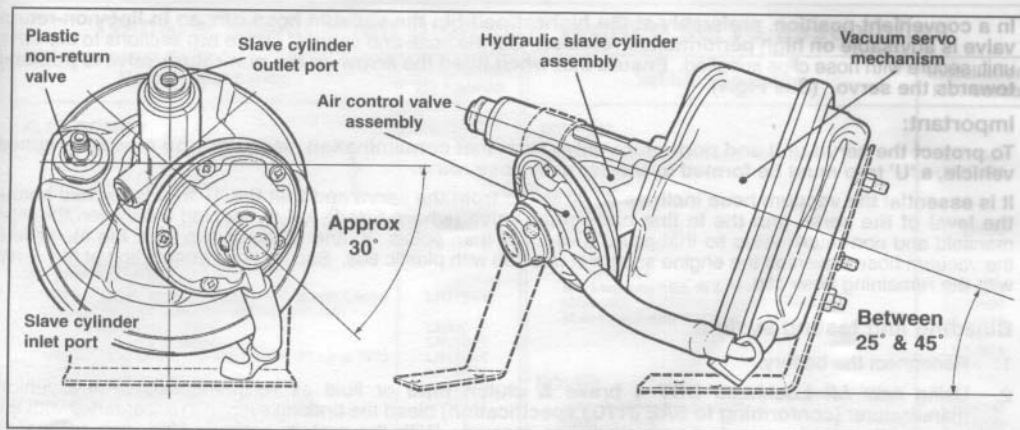


Fig.3

Fitting hydraulic piping

With **all** relevant connection points clean and free from ingress of foreign matter, using the new Bundy piping supplied in the kit:

- Connect up the feed pipe from the brake master cylinder to the servo slave cylinder inlet port.
- Connect up the supply pipe from the servo slave cylinder outlet port to the 3-way adaptor.

When bending brake pipes to shape, **great care must be taken to avoid kinking**. The best way to obtain a good curve is to bend the pipes smoothly round a mandrel of suitable diameter. Using existing clips on the vehicle, ensure pipes are properly secured and cannot chafe or foul other components. Where a long length of piping is fitted e.g. from one side of the vehicle to the other via the bulkhead, secure the pipe to the bulkhead to avoid vibration. Additional pipe clips are available for use where necessary. On some vehicles where space is limited, it will be helpful to use banjo and bolt fittings in the tappings of the servo slave cylinder to avoid a severe bend in the brake pipe. (See Fig.4).

Note:

No attempt should be made to cut and reflare existing brake pipes in situ, as problems could arise with contamination through ingress of foreign matter, i.e. swarf.

Vacuum hose, In line non-return valve (where fitted), and fittings

The servo unit must be connected via a vacuum hose, running from the plastic non-return valve located in the servo shell to a suitable vacuum source e.g. the engine induction manifold or vacuum pump. On some vehicles the manifold is already tapped and fitted with a removable plug, otherwise it will be necessary to drill and tap the manifold.

Three manifold adaptors are available, each with a different thread size to suit various applications.

These thread sizes are:-

- 1/8" B.S.P. taper.** This is self-sealing and should be used when the manifold is not already tapped. Drill the top wall of the manifold 5/16" and tap with a 1/8" B.S.P. taper tap. The manifold should be removed from the engine for this operation.
- 5/8" x 16 Whitworth thread.** (Use with a copper gasket).
- 5/8" x 18 U.N.F. thread.** (Use with a copper gasket).

Fit the relevant adaptor (and the copper gasket, if a 5/8" diameter adaptor is used), and attach the vacuum hose from the kit, securing with one of the hose clips provided.

In a convenient position, preferably at the highest point in the vacuum hose run, an in line non-return valve is advisable on high performance vehicles. Cut the hose and connect up the two sections to the valve unit, secure with hose clips supplied. Ensure that when fitted the arrow on the non-return valve is pointing towards the servo. (See Fig.4).

Important:

To protect the servo unit and non-return valve from fuel contamination, especially on a petrol engine vehicle, a 'U' trap must be formed in the vacuum hose route.

It is essential the vacuum hose inclines downwards from the servo and that the 'U' trap is formed below the level of the servo and the in line non-return valve (where fitted), i.e. by looping it between the inlet manifold and non-return valve so that point 'X' is lower than points 'Y' and 'Z' as shown (see Fig.4). Where the vacuum hose traverses the engine secure in position with plastic ties. Secure hose connection at the servo with the remaining hose clip.

Bleeding and testing system

1. Reconnect the battery.
2. Using new **AP Lockheed DOT 4 brake & clutch fluid** or fluid as recommended by the vehicle manufacturer (**conforming to SAE J1703 specification**) bleed the braking system in accordance with the appropriate vehicle manufacturer's workshop manual. With the system properly bled, firm resistance should be felt at the brake pedal, if difficulty is experienced in achieving a "good bleed", then the bleeding process will be assisted by "cracking open" the brake pipe tube nut at the servo outlet connection whilst depressing the brake pedal. Surround this connection with clean "fluff free" cloth to capture escaping brake fluid. When the pedal is fully depressed retighten tube nut, repeat this process several times if necessary. When completed, "top up" the fluid reservoir to the correct level.
3. Start the engine and apply the brakes several times. Whilst an assistant depresses the brake pedal, re-check for fluid leaks particularly where new connections have been made. Road test the vehicle, and finally check again for fluid leaks.

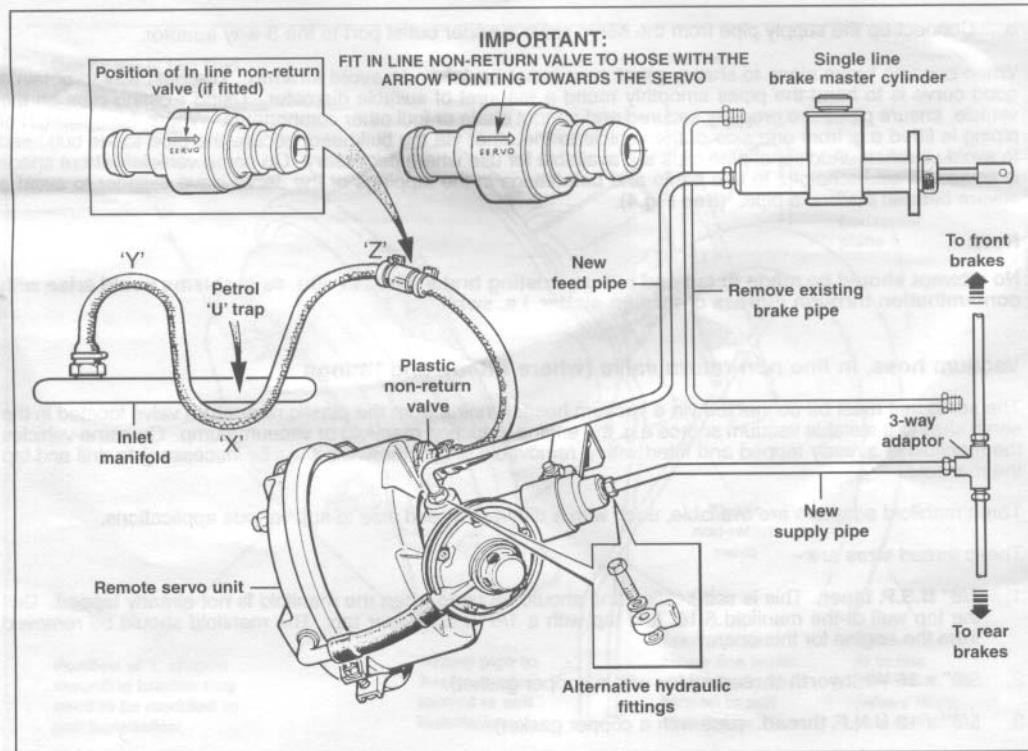


Fig.4 Schematic layout of brake servo unit and relative components

General application guide for remote servo assemblies

Vehicle application	Installation kit / servo	Vehicle application	Installation kit / servo
ALFA ROMEO 1750 Berlina GT, Saloon, Spider Veloce & Coupé GT. Veloce A12 & F12 Commercial	LE10117	JENSEN 541 S Saloon from chassis 100 / 1001 C-V8 Mks. I, II & III	LR17551 LR17551
ALVIS 3-litre (Drum brakes only)	LE10117	MG MGA (All models) MGB & MGB-GT. or LR17814 MG Magnette Mks. III & IV MG 1100 M.G. Midget Mks. I, II & III	LE72696 LR17812 LR17814 LE72696 LE72696 or LR17814
ASTON MARTIN 3.7-litre DB4 Saloon & Vantage, GT, Sports Coupé 4-litre DB5 Spts. Saloon & Volanté (with twin servos fitted) Front Rear DBS-6, DBS V-8 & V-8 Sports Saloon GT. up to 1973 V-8 from 1973 Lagonda V-8 O.H.C. Lagonda 2.1/2-litre Mks. I & II and 3 litre (Except where servo is already fitted)	LR17551 LR18230 LR17818 LR18504 LR18503 LR18503 LE10117	ROVER 2000 P6 from chassis Suffix C 2200	 LR18230 LR18230
A.T.S. 250 GT.	LR17551	TALBOT (Hillman, Singer, Sunbeam) Hillman Imp Mks. I & II, Californian Hillman Minx (All models) Hillman Husky (All models) Hillman Super Minx Mks. I, II, III, IV (All models) Hillman Hunter Mks. I & II Hillman Avenger Saloon DL, Super, GL 4 cyl. Singer Chamois Mks. I & II, Coupé Singer Gazelle (All models) Singer Vogue Mks. I - IV up to Sept '68 Sunbeam Alpine F.H. Coupé Sunbeam Alpine series II Sports Tourer Sunbeam Rapier (All models)	LE72696 LE72696 LR17792 LR17792 LR17792 LE72696 LE15741 LE15741 LE15741 LE15741 LE15741 LE15741
AUSTIN / MORRIS Austin Healey 100-Six Austin Healey Sprite Mks. I, II, III & IV Austin Healey 2.4 C Type, D Type & 3000 Austin A30, A35, A40 Mk.II Austin / Morris 1100, 1300, (including all variants) Austin / Morris 1300 GT. Mini 850 & 1000, Countryman, Clubman (including all variants) Mini-Cooper Mks. I & II Mini 1275 GT. Mini-Cooper 'S' Morris Minor (All models) Morris Oxford 'Farina' series V & VI (All models)	LR17551 LE72696 or LR17814 LE10117 LE72696 LE72696 LR17814 LE72696 LE72696 LR17813 or LE72696 LE72696 LE72696 LE72696	TRIUMPH Triumph Herald (All models) Triumph 1300 Saloon Triumph Toledo Saloon Triumph TR3 Triumph TR4 & TR4A Roadster & Coupé or Triumph Spitfire Mks. II, III & IV Triumph GT6, Mks. I, II & III Triumph Vitesse 6, 2-litre Saloon & Convertible Mks. I & II	LE72696 LE72696 LE72696 LE72696 LE72696 or LE15741 LE72696 LE72696 LE15741
BEDFORD CA, HC, JC & PC Vans	LE72696	VANDEN PLAS Princess 4-litre R	LR18503
BRISTOL 400, 401, 402, 403 & 405 (Drum brakes only) 409, 410, 411 & 412	LE10117 LR18503	GIRLING (Interchangeability)	
CARBODIES FX4 Taxi	LE15370	Application	Girling part no.
DAIMLER Majestic Major 4.5-litre DR450 Majestic Major DQ 450/1 up to chassis 136572 from chassis 136573 SP250 V-8 & 2.1/2-litre V8-250 (Jaguar Body)	LR17551 LR17551 LR18503 LR17552	AP Lockheed part no.	
DENNIS F.D.4 Ambulance	LE10117	Austin & Morris 1800	64049354
FORD Anglia 105E, Super 123E Capri 1300 & 1600 up to Sept '70 (excluding 1600 GT. version) Cortina 1200, 1300, 1500 & 1600 Mks. I & II Cortina 1600E, GT. Corsair 120E, GT. V4 Escort 1100 & 1300 Mk. I Zephyr, Zodiac, Consul Mk. II (Drum brakes only)	LE72696 LE72696 LE72696 LE15741 LE15741 LE72696 LR17814	Austin Healey 3000	64049126
JAGUAR 2.4, 3.4 and 3.8-litre 240 and 340 series XK 12 Mks. I & II XK 120c XK 140 XK 150	LR17552 LR17552 LE10117	Aston Martin	64049460
} Single systems only		Commer 'Walk Thru'	64049183
		Cortina Lotus 125E	64049127
		Ford Corsair 120E	64049408
		Girling Power Stop Kits	64949023 64949077
		Land Rover L.W.B.	-
		Land Rover S.W.B.	-
		Leyland E.A. Van	74949025
		Lotus Elan F.H. Coupé +2	64049354
		Lotus Elan + Sprint	64049178
		MGC	64049354
		Morgan Plus Eight Sports 2-str.	64049330 64949000
		Morris-Commercials	64049325
		Reliant Scimitar F.H. Coupé GT.	64049127
		Rover 80, 95, 100 (P4)	64049126
		Vauxhall Viva HB	64049314
		Volvo P1800	64049132



Lockheed

Automotive Products UK
Tachbrook Road, Leamington Spa, Warks, England, CV31 3ER
AN AUTOMOTIVE PRODUCTS GROUP COMPANY